

# CUPC Series User Manual

[Version 1.0B]



**COMFILE**  
TECHNOLOGY

COMFILE Technology Inc.

[www.comfiletech.com](http://www.comfiletech.com)

Manual Revision History

Date	Version	Page	Summary
Dec 30, 2008	1.0B		V1.0B released

## Table of Contents

Chapter 1. Overview .....	4
1-1. hardware Specification .....	4
1-2. Parts Diagram .....	5
1-3. Dimensions .....	7
Chapter 2. Input/Output Connector Type and Pin Assignment .....	11
2-1. VGA Output Connector .....	11
2-2. RS232C Input/Output Connector (COM1,COM2,COM3) .....	11
2-3. COM4 Mode Setting and Connector .....	12
2-4. RS485 Input/Output Connector (COM5) .....	13
2-5. Ext. Power ON/OFF Switch Connector .....	13
2-6 Power Input Connector .....	14

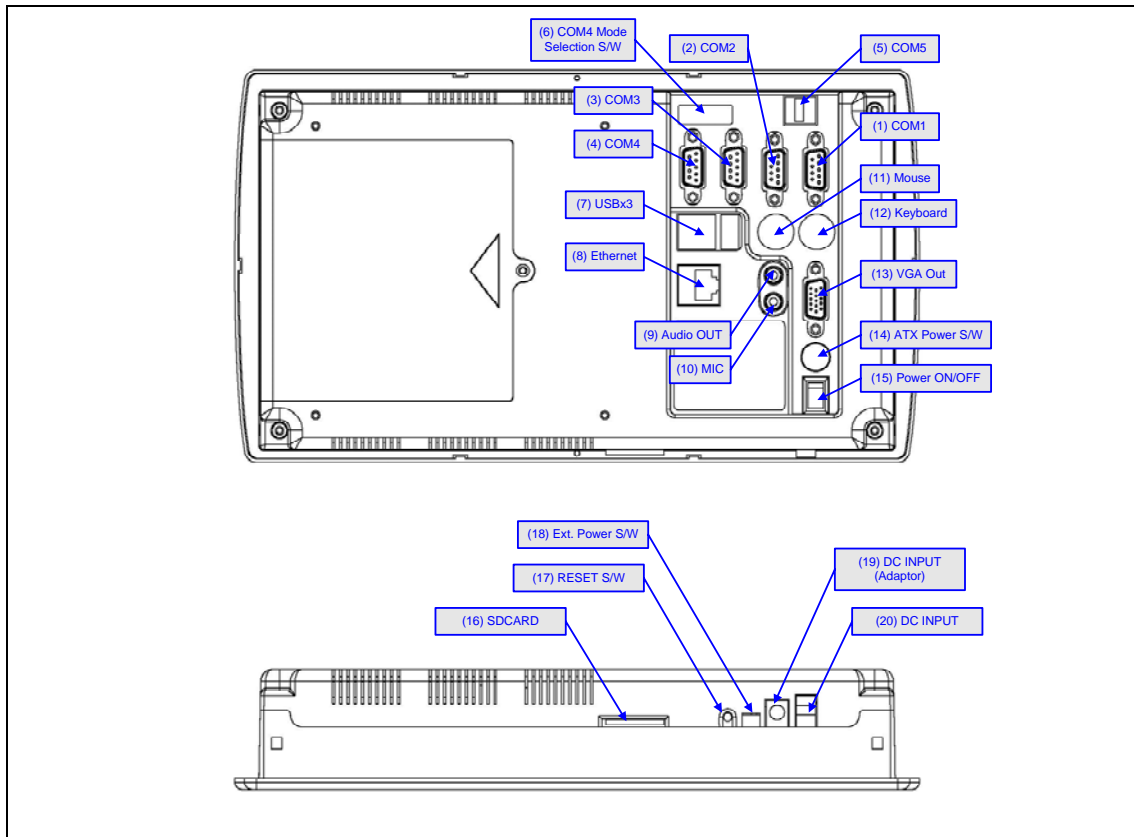
## Chapter 1. Overview

### 1-1. hardware Specification

Item	Model	
	CUPC-P80	CUPC-P100
CPU	AMD Geode LX800 500MHz Process. Support MMX, AMD 3DNOW Instruction set.	
Chipset	AMD LX800 & CS5536 Companion Chip.	
BIOS	Award Bios	
Display Chipset	AMD LX800 Geode Integrated Graphics Controller. High Performance 2D Accelerator. VGA CRT Output Port.	
LCD	10.2inch (800x480) 250cd/m <sup>2</sup>	15inch (1024x760) 250cd/m <sup>2</sup>
Backlight	White LED Lifetime : >20,000hr	2Channel CCFL Lifetime : >40,000hr
Ethernet	10/100 Base-T Ethernet Port. VIA VT6107 Ethernet Controller Chip.	
Audio	VT1616 AC97 Codec. Speaker Out Port. MIC In Port.	
USB	3 Universal Serial Bus Support. Support USB2.0 Host Controller	
SDCARD	1 slot Support	
Keyboard	PS/2 Keyboard Port	
Mouse	PS/2 Mouse Port.	
HDD	S-ATA Support.	
Serial	4 RS232C Serial Port.(COM4 RS232 & RS485 S/W Select Port) One RS485 Serial Port.(AutoDirection Control Support)	
Input Power	DC+ 12V	
Power Consumption	<15W (1.2A@DC+ 12V)	<22W (1.8A@DC+ 12V)
Weight	1.1Kg	4.8Kg
Operating Temperature	0°C ~ 60°C	0°C ~ 50°C

[Table 1] CUPC Hardware Specification

## 1-2. Parts Diagram



[Figure 1] CUPC Parts Diagram

(1) COM1 : RS232C Port.

(2) COM2 : RS232C Port.

(3) COM3 : RS232C Port.

(4) COM4 : RS232C/RS485 Port.

=> Switched to RS232C or RS485 by the mode selector.<sup>1</sup>

(5) COM5 : RS485 port.<sup>2</sup>

(6) COM4 Mode Selection S/W : Switch for selecting COM4 mode.

(Refer to Chapter 2-3)

(7) USB : Provides 3 USB ports (USB2.0).

(8) Ethernet : 10/100Base-T Ethernet Port (1EA)

(9) Audio OUT : Stereo sound output port

(10) MIC : Microphone input port.

(11) Mouse : PS/2 mouse input port.

<sup>1</sup> When using RS485 mode, no other RTS signal control is needed because Auto Direction Control is supported.

<sup>2</sup> No other RTS signal control is needed because Auto Direction Control is supported.

- (12) Keyboard : PS/2 keyboard input port.
- (13) VGA Out : External monitor video output port.
- (14) ATX Power S/W : ATX mode power switch, which can turn on and off the system.<sup>3</sup>
- (15) Power ON/OFF : Power ON/OFF switch.
- (16) SDCARD : 1EA of SDCARD slot.
- (17) RESET S/W : Reset switch.
- (18) Ext. Power S/W : The connector which can be linked to external switch.  
Same function with ATX Power S/W.
- (19) DC INPUT(Adaptor) : Connector for adaptor power supply.
- (20) DC INPUT : Connector for power supply.

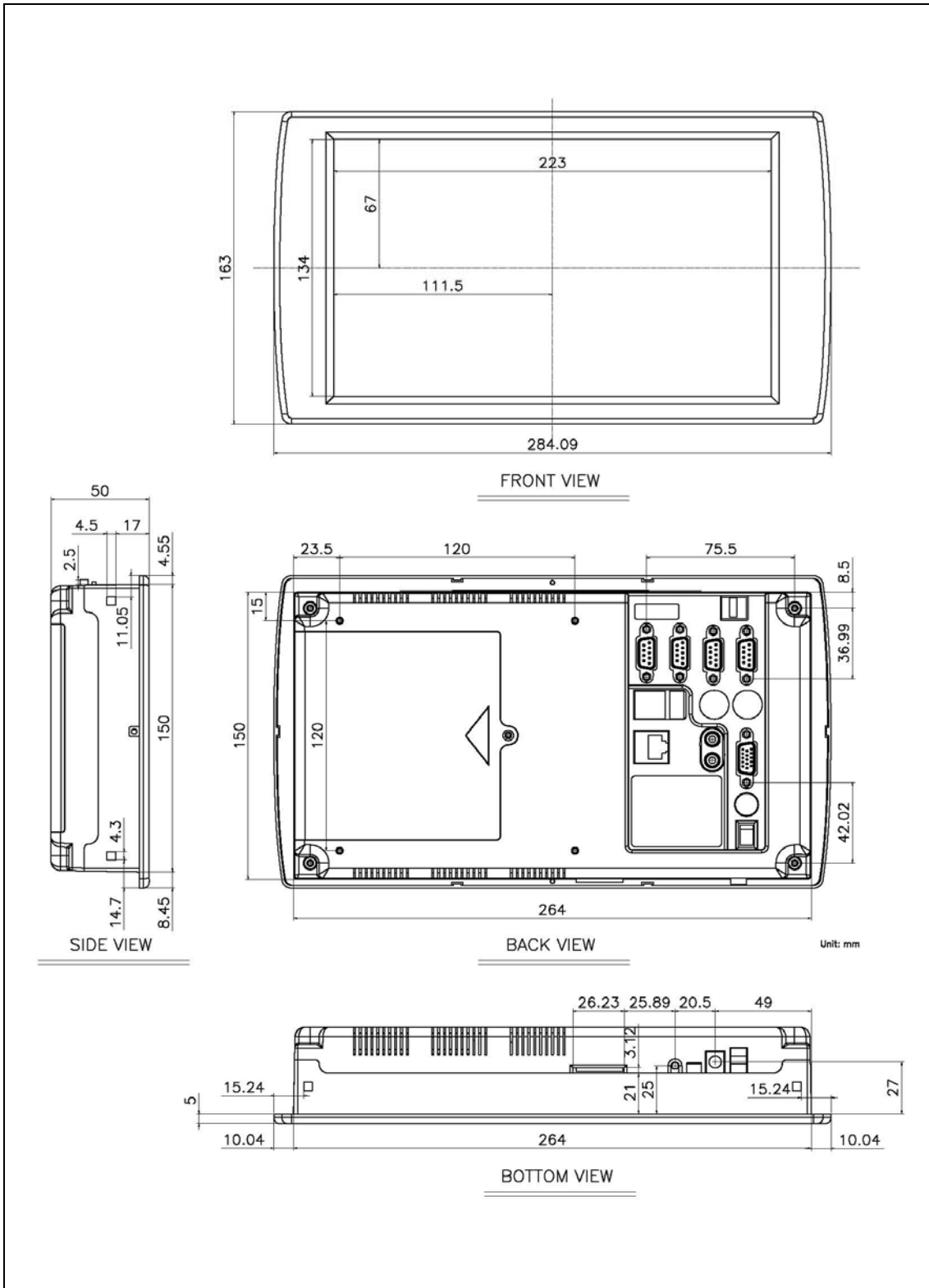
---

<sup>3</sup> CUPC is released on AT power mode. If you need ATX power mode, please contact us.

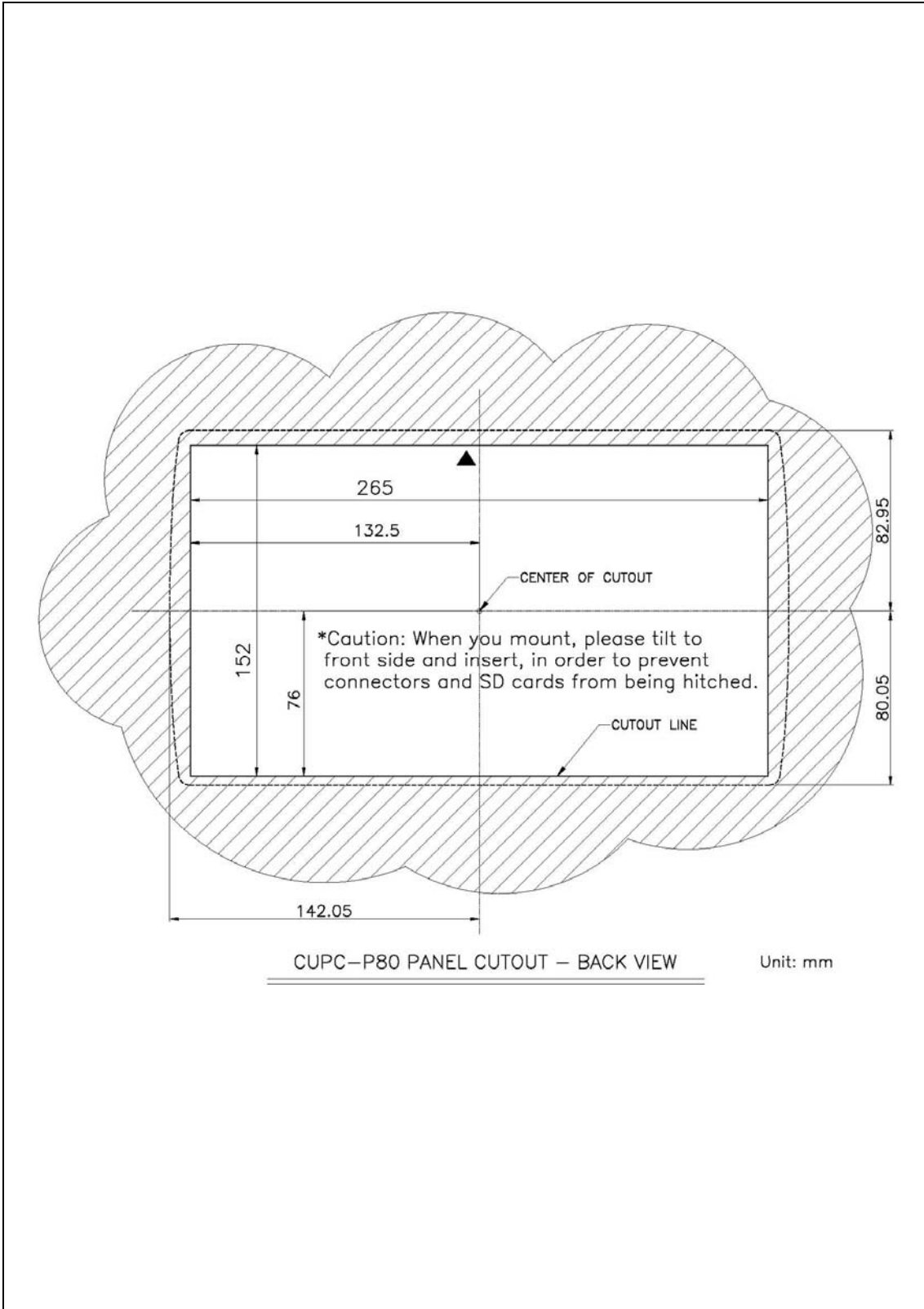
---

**1-3. Dimensions**

**1-3-1. CUPC-P80 Dimensions**

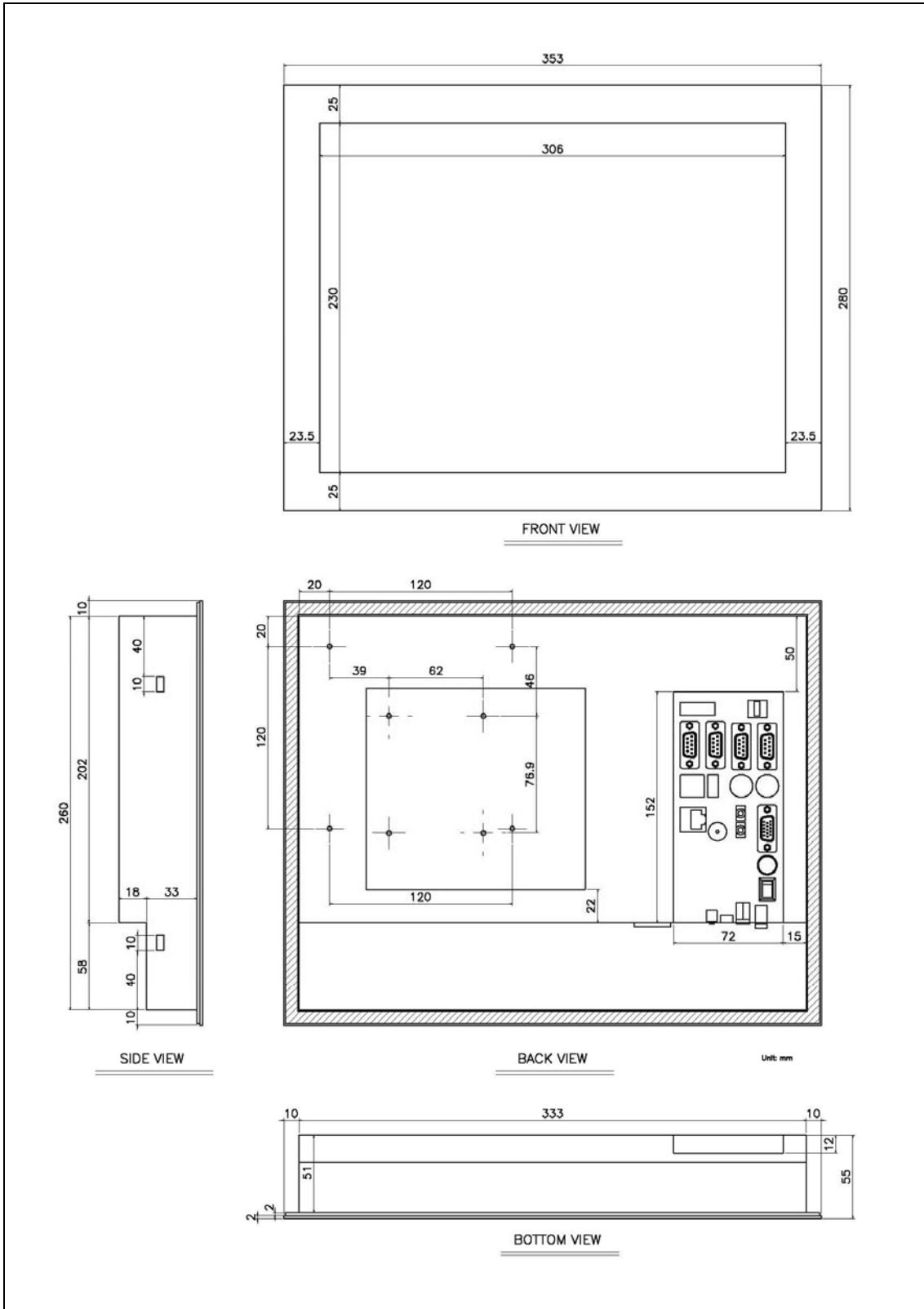


[Figure 2] CUPC-P80 Dimensions

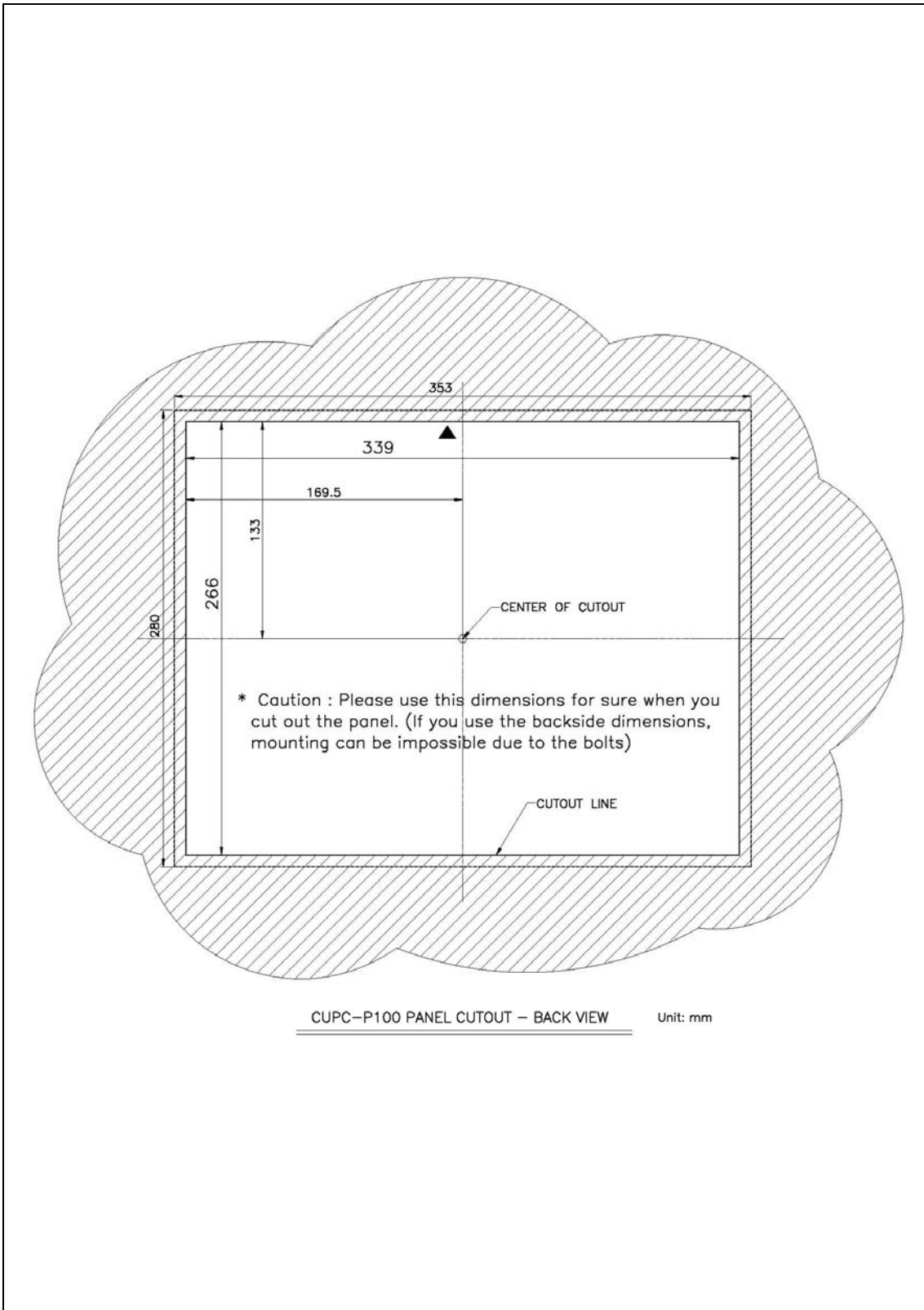


[Figure 3] CUPC-P80 Panel Cut

1-3-2. CUPC-P100 Dimensions



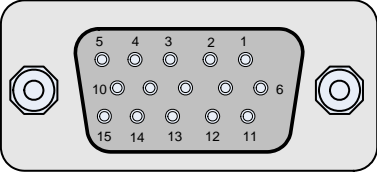
[Figure 4] CUPC-P100 Dimensions



[Figure 5] CUPC-P100 Panel Cut

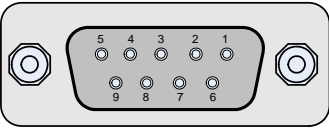
## Chapter 2. Input/Output Connector Type and Pin Assignment

### 2-1. VGA Output Connector

Connector Type			
			
* D-SUB 15 Pin Female			
Pin Assignment			
Pin No.	Signal	Pin No.	Signal
1	RED	2	GREEN
3	BLUE	4	-
5	GND	6	AGND
7	AGND	8	AGND
9	+5V	10	GND
11	-	12	DDDATA
13	HSYNC	14	VSYSNC
15	DDCLK	-	-

[Table 2] VGA Output Connector Type and Pin Assignment

### 2-2. RS232C Input/Output Connector (COM1,COM2,COM3)

Connector Type			
			
*D-SUB 9Pin Female			
Pin Assignment			
Pin No.	Signal	Pin No.	Signal
1	DCD	2	RXD
3	TXD	4	DTR
5	GND	6	DSR
7	RTS	8	CTS
9	RI	-	-

[Table 3] RS232C Input/Output Connector Type and Pin Assignment

**2-3. COM4 Mode Setting and Connector**

**2-3-1. RS232C Mode**

Mode Setting				Connector Type			
<p>RS232C Mode</p> <p>ON</p> <p>1 2 3 4 5 6 7 8</p> <p>ON OFF</p>				<p>*D-SUB 9 Pin Female</p>			
Pin Assignment							
Pin No.	Signal	Pin No.	Signal	Pin No.	Signal	Pin No.	Signal
1	DCD	2	RXD	3	TXD	4	DTR
5	GND	6	DSR	7	RTS	8	CTS
9	RI	-	-				

[Table 4] COM4 Connector Type and Pin Assignment for RS232C mode

**2-3-2. RS485 Mode**

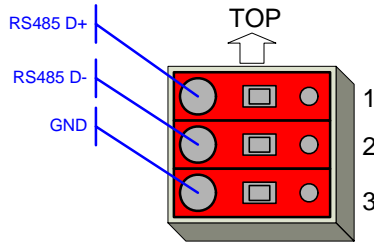
\* AutoDirection Control is supported so no other RTS Signal Control required.

Mode Setting				Connector Type			
				<p>*D-SUB 9 Pin Female</p>			
Pin Assignment							
Pin No.	Signal	Pin No.	Signal	Pin No.	Signal	Pin No.	Signal
1	-	2	RS485 DATA+	3	RS485 DATA-	4	-
5	GND	6	-	7	-	8	-
9	-	-	-				

[Table 5] COM4 Connector Type and Pin Assignment for RS485 mode

**2-4. RS485 Input/Output Connector (COM5)**

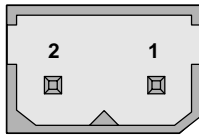
\* AutoDirection Control is supported so no other RTS Signal Control required.

Connector Type	
	
Pin Assignment	
Pin No.	Signal
1	RS485 DATA+
2	RS485 DATA-
3	GND

[Table 6] COM5 Connector Type and Pin Assignment

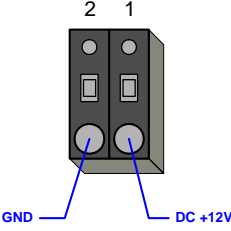
**2-5. Ext. Power ON/OFF Switch Connector**

\* CUPC is released on AT power mode. If you want ATX, please contact us.

Connector Type	
	
<p>* Part No. : YMW025-02R Mating Connector : YMH025-02R</p>	
Pin Assignment	
Pin No.	Signal
1	PWRBTN#
2	GND

[Table 7] Ext. Power ON/OFF Switch Type and Pin Assignment

**2-6 Power Input Connector**

Connector Type	
	
Pin Assignment	
Pin No.	Signal
1	DC +12V
2	GND

[Table 8] Power Input Connector Type and Pin Assignment

**CAUTION**

- Make sure the power supply is turned off when you begin wiring.
- Before you turn on the power supply, please check the voltage of power supply and wiring is all ok.