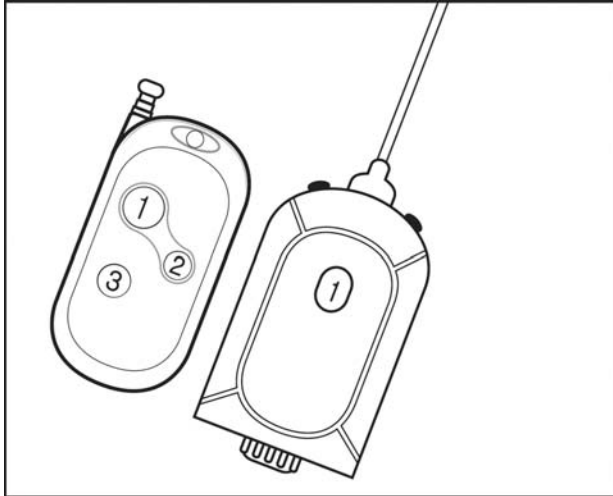


GRFM-3KEY

Radio Frequency Remote Controller



* The GRFM-3 Key is not UL or CE approved. You will have to acquire UL or CE for your final product.

Transmitter

1. Features

1-1. Specifications

1) Current Consumption

Idling: 0 mA

Sending: 33.2mA

2) Operating Voltage: 6VDC (2 x 3V Lithium batteries in-parallel)

3) Size: 55 x 26 x 10mm

4) Weight: 16g (Two Lithium batteries included)

5) Operating Temperature: -10°C ~ +50°C (Humidity 95%)

6) Applications: Car alarm, remote switches, garage openers, etc...

7) Range : Open Space 700yds / Roads - 300 yds.

1-2. Electrical Characteristics

1) Radio Frequency Format: F1D

2) Transmitter Power: 5mW

3) Transmitter Frequency: 447.700MHz

4) Oscillation Type: Crystal

5) Frequency Stability: ±5ppm

6) Channels: 1

7) Amplifying Method: 6X

8) Modulation Method: FSK

Receiver

1. Features

1) Operating Voltage: 5VDC

2) Current Consumption: 10mA

3) Size: 225 x 34 x 16mm (Antenna: 175mm)

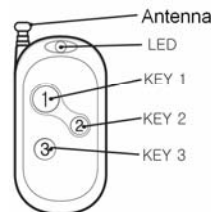
4) Weight: 25g

5) Operating Temperature: -10°C ~ +70°C (Humidity 95%)

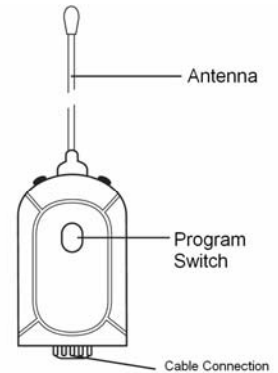
6) Sensitivity: -120dBm (DIRECT)

2. Dimensions

1) Transmitter(FM)



2) RF Receiver

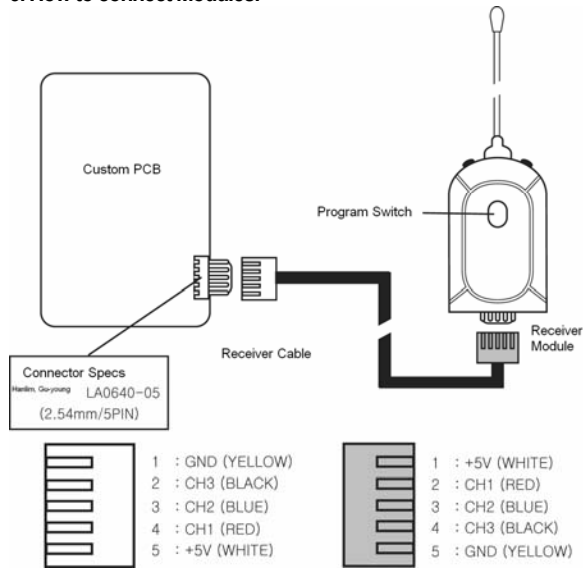


How to program

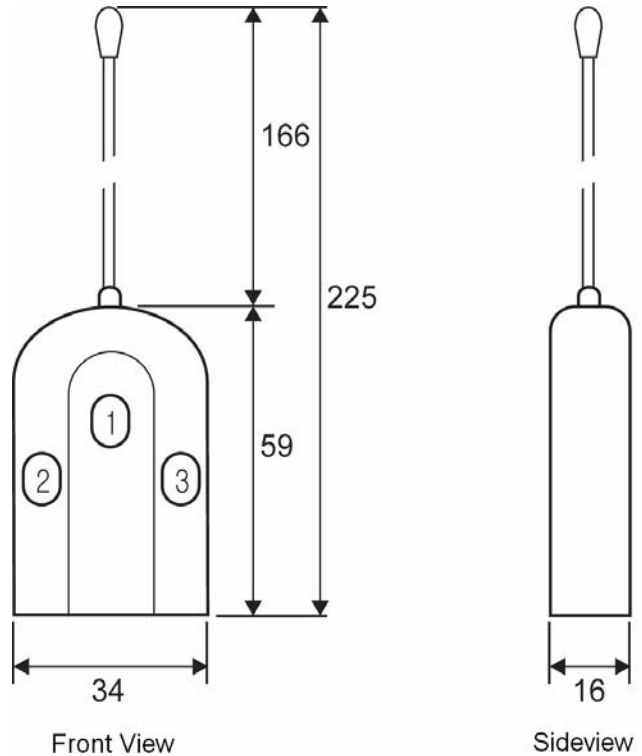
(1) Please press the Program switch in the Receiver 5 times continuously. The LED on the Receiver will flash ONCE. (Remote Control Program Mode)

(2) Now you have 5 seconds to press any of the buttons of your transmitter. You can setup up to 10 Transmitters per Receiver. Once a transmitter is pressed, you will see the Receiver's LED blink. After every transmitter is setup, you will get another 5 seconds to setup another transmitter.

3. How to connect Modules.



Receiver



How to Operate

(1) Once you are done programming, simply press buttons on your Transmitter and 5V will be outputted on the Receiver's channels. It will be outputted up to 8 seconds.

* After 8 seconds, even if the Transmitter's buttons are pressed, the output will stop.

(2) Each button 1, 2, and 3 of Transmitter corresponds to CH1, CH2, and CH3 of the Receiver.

4. Dimensions (Units : mm)

Transmitter

