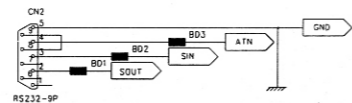


Step down voltage regulator

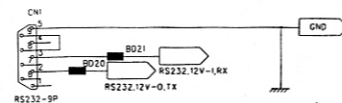
SECTION 1

RS232 DOWN-LOAD



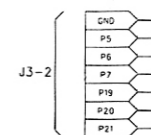
SECTION 2

RS232 CH1



SECTION 3

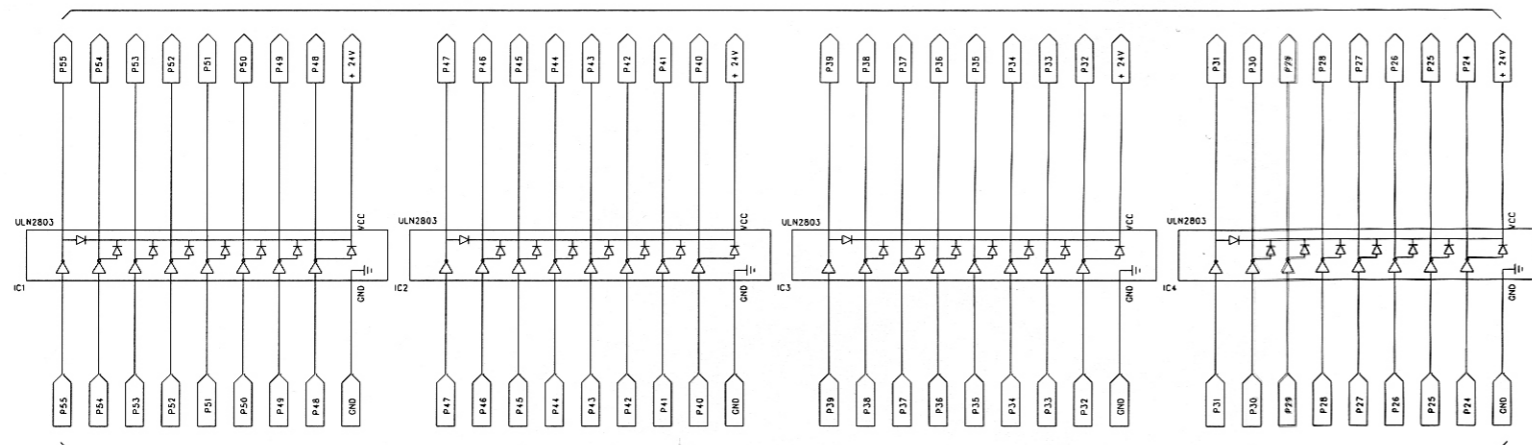
PWM



SECTION 6

Darlington Open Collector Output

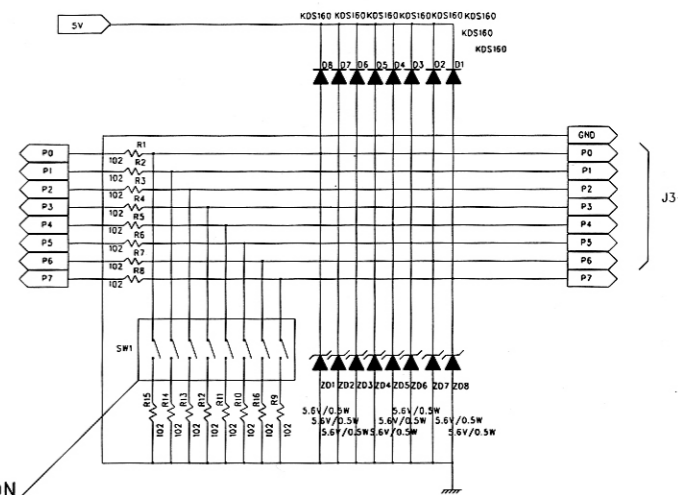
Darlington Open Collector Output Port (DC21V~28V)



CPU Output Signal

SECTION 4

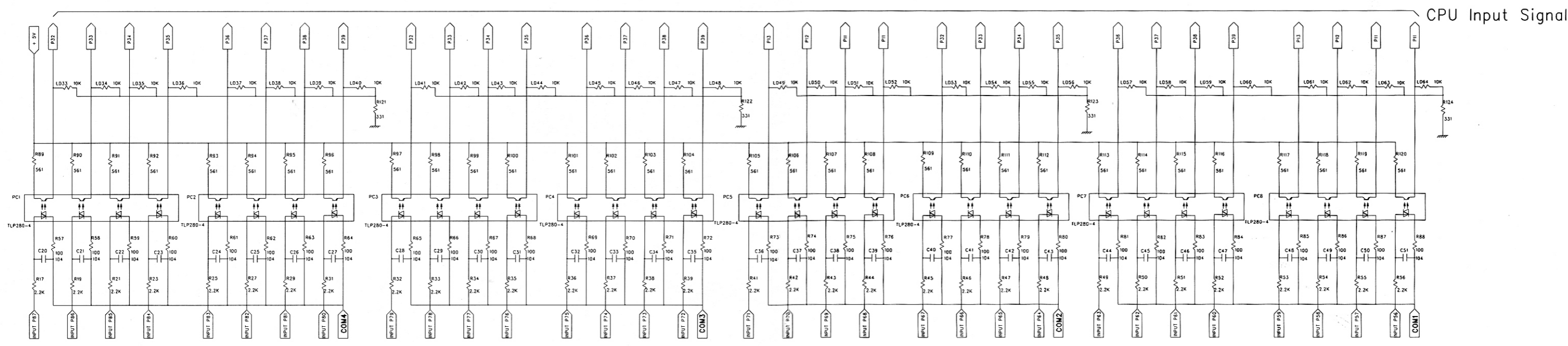
A/D INPUT



CAUTION

Selector Switch
Off : Input Maximum Voltage 5V
On : Input Maximum Voltage 10V

SECTION 7



Input Signal Port (DC 21~28V)

SECTION 5

24V INPUT

TITLE	ADD-ON-BOARD		
DRAWING	ITEM		
CHECK			
APPROVE			
	NO		